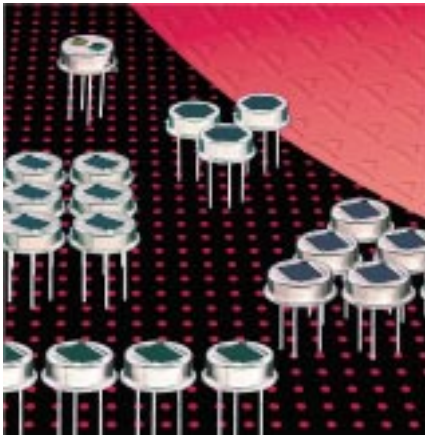


Motion Detection Applications

Pyroelectric Detector LHi 874/878

Dual Element configuration including FET and optical window

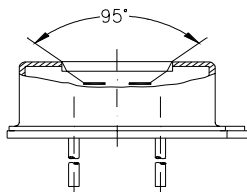


Dual Element Detector

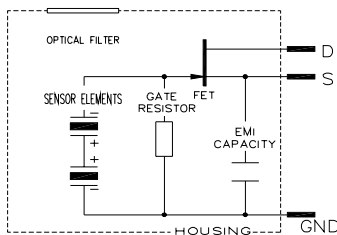
Universal Applications

The **LHi 874** and **LHi 878** pyroelectric infrared-detector series are the standard dual element design recommended for all variants of motion control. They include a dual element pyro-electric ceramic with FET in source follower connection.

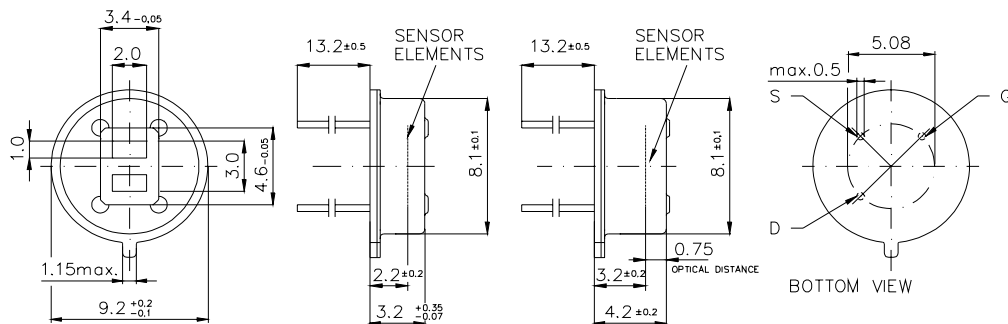
The **LHi 874** is available as **TO-39**, whereas **LHi 878** detector is available in **TO-5** housing with standard infrared filter. They both offer high responsivity with excellent common mode performance (match). For both variants RF improved options are available.



Field of View



Parameters	LHi 874/878				
	min	typical	max	units	condition
Element size	2x1		mm ²	(2 elements)	
Responsivity	3 300	4000	V/W	100°C, 1 Hz	
Match	1		10	%	
Noise	20		50	µVpp	25°C, 0,3...10Hz
Offset Voltage	0,2		1,55	V	R _s =47kΩ, 25°C
D*	5x10 ⁷	19x10 ⁷	cm √Hz/W	1Hz Bw,100°C, 1 Hz	
Output Impedance	5		10	kΩ	R _s =47kΩ, 25°C
Operating Voltage	2		15	V	R _s =47kΩ, 25°C
Field of View, horizontal	95		°	unobstructed	
vertical	90		°	unobstructed	
Operating Temperature	-40		85	°C	non permanent
Storage Temperature	-40		85	°C	non permanent



Dimensions in mm