

深圳市普恩科技有限公司

地址：深圳市宝安区龙华镇民治街道民康路蓝坤大厦 1007

电话：0755-85286856 传真：0755-82484849

<http://www.salens.cn> sales@salens.cn

DTM64LH

64 Notes Single Tone Melody

Features :

- Operating Voltage range : 1.3V to 5.0V.
- Built-in RC oscillator .
- 64 notes memory .
- Operating mode : Level Hold .

General Description:

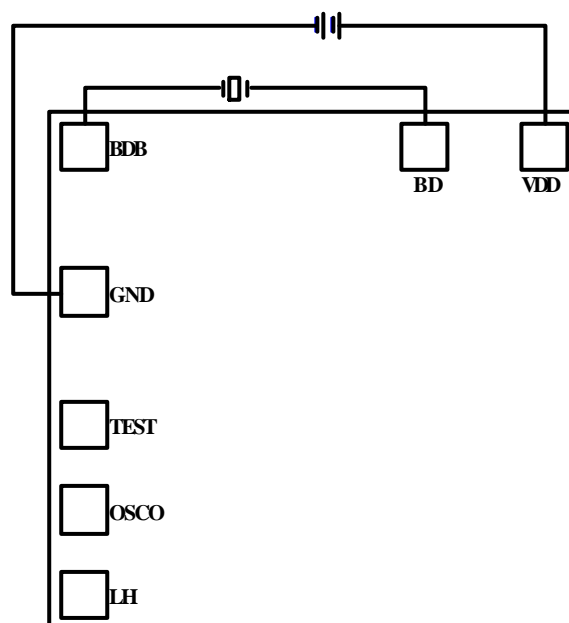
This is a new type of CMOS melody generator designed with sound composite system using minimum application circuit .It is dedicated to the applications such as rhythm box, toys, etc. and is easy for you to design your consumer products.

Electrical Characteristics

(VDD=1.5V,GND=0V,Ta=25°C,unless otherwise specified)

Parameter	Symbol	Min	Typ	Max	Condition
Operating Voltage	Vdd	1.3V	1.5V	5.0V	
Standby Current	Istb	---	---	5uA	Vdd=1.5V,I/O open
Operating Current	Iop	---	---	100uA	Vdd=1.5V,I/O open
BD and BDB Output pin Drive Current	Ibd	10mA	---	---	
Oscillator Frequency		---	250KHz	---	Vdd=1.5V

Application Circuit:



* Substrate to VDD